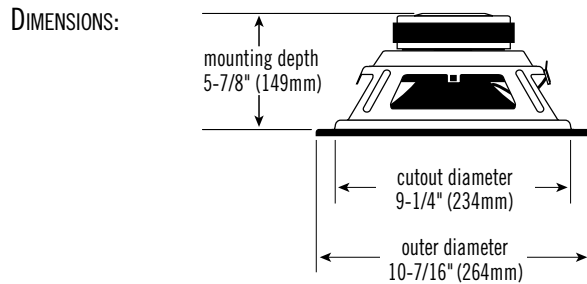


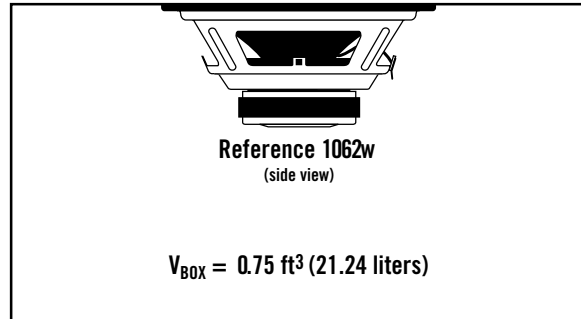
Infinity Reference 1062w 10" Woofer – Technical Data

SPECIFICATIONS

DIAMETER:	10" (250mm)
SENSITIVITY (2.83V @ 1m):	94dB
POWER HANDLING:	275W _{RMS} (1100W _{PEAK})
FREQUENCY RESPONSE:	25Hz ~ 400Hz
NOMINAL IMPEDANCE:	2 or 8 OHMS
VOICE COIL DIAMETER:	2.0" (51.0mm)



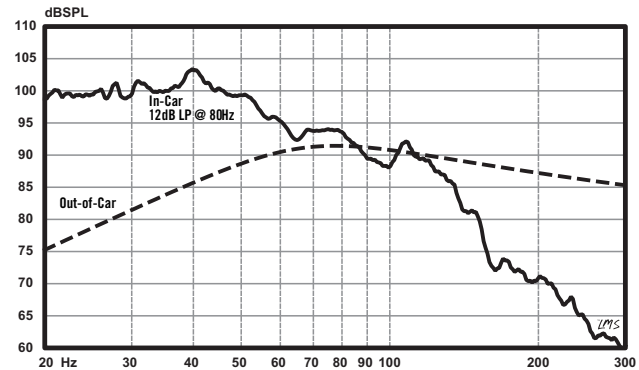
SEALED BOX VOLUME (INCLUDES DRIVER DISPLACEMENT)



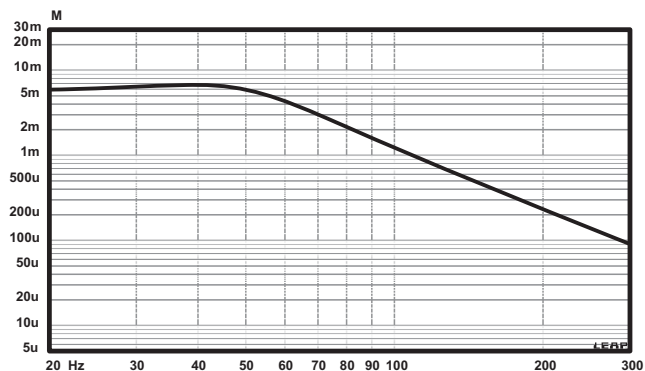
THIELE-SMALL PARAMETERS

VOICE COIL DC RESISTANCE:	R_{EVC} (OHMS) 1.80
VOICE COIL INDUCTANCE @ 1kHz:	L_{EVC} (MH) 1.07
DRIVER RADIATING AREA:	S_D (IN ²) 56.265
	S_D (M ²) 363.00
MOTOR FORCE FACTOR:	BL (TM) 10.80
COMPLIANCE VOLUME:	V_{AS} (FT ³) 1.19
	V_{AS} (LITERS) 33.68
SUSPENSION COMPLIANCE:	C_{MS} (μM/N) 179.00
MOVING MASS, AIR LOAD:	M_{MS} (GRAMS) 153.00
MOVING MASS, DIAPHRAGM:	M_{MD} (GRAMS) 149.00
FREE-AIR RESONANCE:	F_S (Hz) 30.40
MECHANICAL Q:	Q_{MS} 7.98
ELECTRICAL Q:	Q_{ES} 0.45
TOTAL Q:	Q_{TS} 0.43
MAGNETIC-GAP HEIGHT:	H_{AG} (IN) 0.314
	H_{AG} (MM) 8.00
VOICE COIL HEIGHT:	H_{VC} (IN) 1.34
	H_{VC} (MM) 34
MAXIMUM EXCURSION:	X_{MAX} (IN) 0.512
	X_{MAX} (MM) 13.00

SEALED ENCLOSURE FREQUENCY RESPONSE @ 2.83V

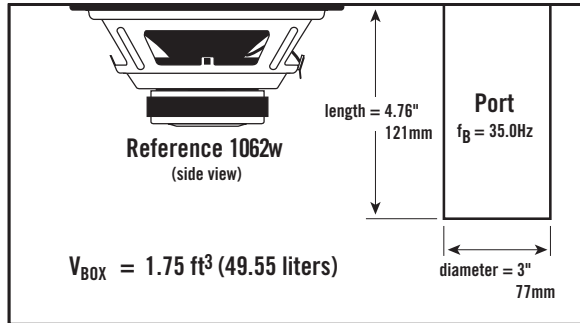


SEALED ENCLOSURE CONE EXCURSION @ 275W

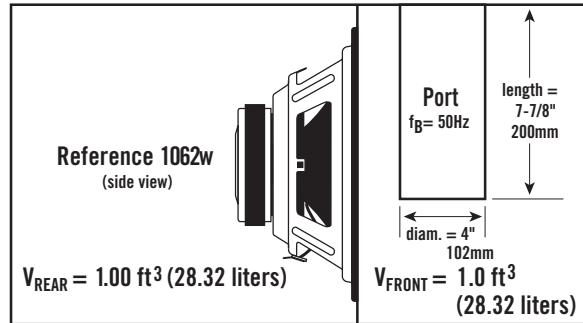


Infinity Reference 1062w 10" Woofer – Technical Data

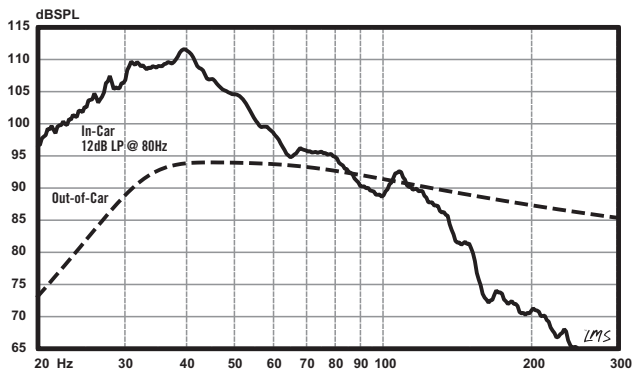
VENTED BOX VOLUME (INCLUDES DRIVER/PORT DISPLACEMENTS)



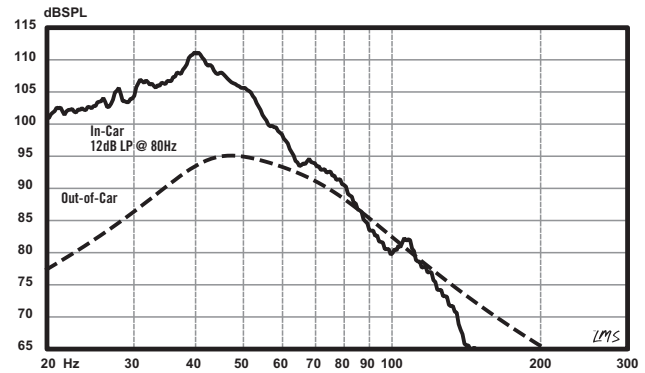
BAND-PASS BOX VOLUME (INCLUDES DRIVER/PORT DISPLACEMENTS)



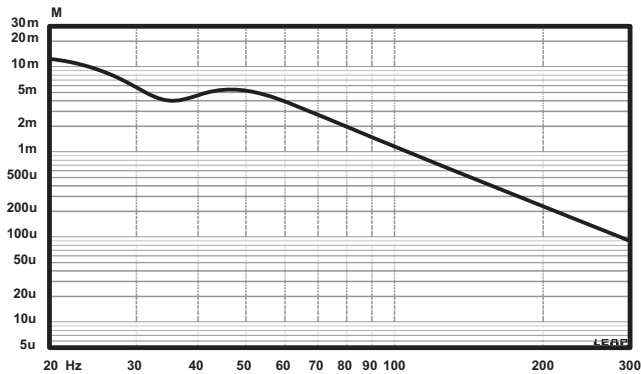
VENTED ENCLOSURE FREQUENCY RESPONSE @ 2.83V



BAND-PASS ENCLOSURE FREQUENCY RESPONSE @ 2.83V



VENTED ENCLOSURE CONE EXCURSION @ 275W



BAND-PASS ENCLOSURE CONE EXCURSION @ 275W

